

Installation



# PCF and PrecisionSwirl Simulator Kit

3A1259B

EN

Simulator kit for the PCF and PrecisionSwirl systems. For professional use only.

Not for use in explosive atmospheres.

## Part 24F302



### Important Safety Instructions

Read all warnings and instructions in this manual and in the PCF Instructions-Parts manual or PrecisionSwirl Instructions-Parts manual. Save all instructions.

### Parts included in kit 24F302:

Ref.	Part	Description	Qty.
2	---	POWER SUPPLY	1
3	---	KIT, IEC power cables, C13	1
5	16K743	TOKEN, upgrade	1
8	16N498	KIT, token, key, for ADM	1
12	24E451	MODULE, ADM	1

## Connect Power Cables

1. Insert the desired IEC power cable from the IEC power cable kit (3) into the power supply (2).

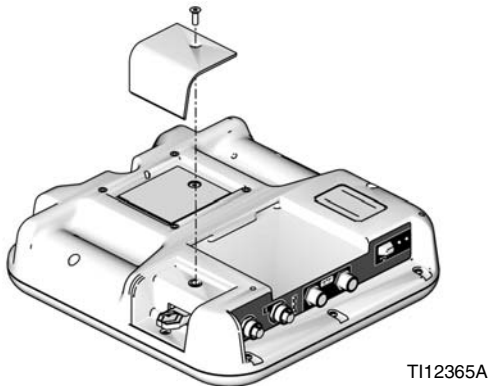
**NOTE:** Do not insert the IEC power cable into the power outlet at this time.

2. Insert the M-12, 5 pin connector from the power supply into the CAN connector on the Advanced Display Module (ADM).

# Install Software

## Install Software on ADM

1. Remove the token access cover.



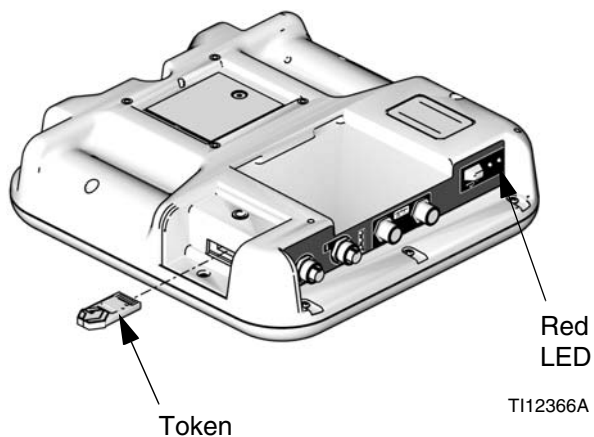
**FIG. 1: ADM - Remove Access Cover**

2. Insert and press the token (5) firmly into the slot.

**NOTE:** There is no preferred orientation of the token.

3. Insert the IEC power cable (3) into the power outlet to supply power.
4. The software is completely loaded after the red LED stops flashing. Remove the token.

**NOTE:** Store the token in a safe location as it will need to be used again on any repair modules.



**FIG. 2: ADM Token and Red LED**

## Install Key Token

1. Install and press the key token (8) firmly into the slot on the ADM.
2. Leave the key token in place and reinstall the ADM token access cover. See FIG. 1.
3. Cycle power to ADM.

## Operate ADM

See the PCF Instructions-Parts manual or Precision-Swirl Instructions-Parts manual for instructions on operating the ADM.

# Graco Standard Warranty

Graco warrants all equipment referenced in this document which is manufactured by Graco and bearing its name to be free from defects in material and workmanship on the date of sale to the original purchaser for use. With the exception of any special, extended, or limited warranty published by Graco, Graco will, for a period of twelve months from the date of sale, repair or replace any part of the equipment determined by Graco to be defective. This warranty applies only when the equipment is installed, operated and maintained in accordance with Graco's written recommendations.

This warranty does not cover, and Graco shall not be liable for general wear and tear, or any malfunction, damage or wear caused by faulty installation, misapplication, abrasion, corrosion, inadequate or improper maintenance, negligence, accident, tampering, or substitution of non-Graco component parts. Nor shall Graco be liable for malfunction, damage or wear caused by the incompatibility of Graco equipment with structures, accessories, equipment or materials not supplied by Graco, or the improper design, manufacture, installation, operation or maintenance of structures, accessories, equipment or materials not supplied by Graco.

This warranty is conditioned upon the prepaid return of the equipment claimed to be defective to an authorized Graco distributor for verification of the claimed defect. If the claimed defect is verified, Graco will repair or replace free of charge any defective parts. The equipment will be returned to the original purchaser transportation prepaid. If inspection of the equipment does not disclose any defect in material or workmanship, repairs will be made at a reasonable charge, which charges may include the costs of parts, labor, and transportation.

**THIS WARRANTY IS EXCLUSIVE, AND IS IN LIEU OF ANY OTHER WARRANTIES, EXPRESS OR IMPLIED, INCLUDING BUT NOT LIMITED TO WARRANTY OF MERCHANTABILITY OR WARRANTY OF FITNESS FOR A PARTICULAR PURPOSE.**

Graco's sole obligation and buyer's sole remedy for any breach of warranty shall be as set forth above. The buyer agrees that no other remedy (including, but not limited to, incidental or consequential damages for lost profits, lost sales, injury to person or property, or any other incidental or consequential loss) shall be available. Any action for breach of warranty must be brought within two (2) years of the date of sale.

**GRACO MAKES NO WARRANTY, AND DISCLAIMS ALL IMPLIED WARRANTIES OF MERCHANTABILITY AND FITNESS FOR A PARTICULAR PURPOSE, IN CONNECTION WITH ACCESSORIES, EQUIPMENT, MATERIALS OR COMPONENTS SOLD BUT NOT MANUFACTURED BY GRACO.** These items sold, but not manufactured by Graco (such as electric motors, switches, hose, etc.), are subject to the warranty, if any, of their manufacturer. Graco will provide purchaser with reasonable assistance in making any claim for breach of these warranties.

In no event will Graco be liable for indirect, incidental, special or consequential damages resulting from Graco supplying equipment hereunder, or the furnishing, performance, or use of any products or other goods sold hereto, whether due to a breach of contract, breach of warranty, the negligence of Graco, or otherwise.

## **FOR GRACO CANADA CUSTOMERS**

The Parties acknowledge that they have required that the present document, as well as all documents, notices and legal proceedings entered into, given or instituted pursuant hereto or relating directly or indirectly hereto, be drawn up in English. Les parties reconnaissent avoir convenu que la rédaction du présente document sera en Anglais, ainsi que tous documents, avis et procédures judiciaires exécutés, donnés ou intentés, à la suite de ou en rapport, directement ou indirectement, avec les procédures concernées.

# Graco Information

For the latest information about Graco products, visit [www.graco.com](http://www.graco.com).

**TO PLACE AN ORDER**, contact your Graco distributor or call to identify the nearest distributor.

**Phone:** 612-623-6921 **or Toll Free:** 1-800-328-0211 **Fax:** 612-378-3505

*All written and visual data contained in this document reflects the latest product information available at the time of publication.  
Graco reserves the right to make changes at any time without notice.*

Original instructions. This manual contains English. MM 3A1259

**Graco Headquarters:** Minneapolis

**International Offices:** Belgium, China, Japan, Korea

**GRACO INC. AND SUBSIDIARIES • P.O. BOX 1441 • MINNEAPOLIS MN 55440-1441 • USA**

**Copyright 2010, Graco Inc. All Graco manufacturing locations are registered to ISO 9001.**

[www.graco.com](http://www.graco.com)  
Revised 01/2012