

Inline Fluid Filter Kit

406898C

EN

**Inline Fluid Filter for use with Merkur ES Spray Packages.
For professional use only.**



Important Safety Instructions

Read all warnings and instructions in your Merkur ES package manual. Save all instructions.

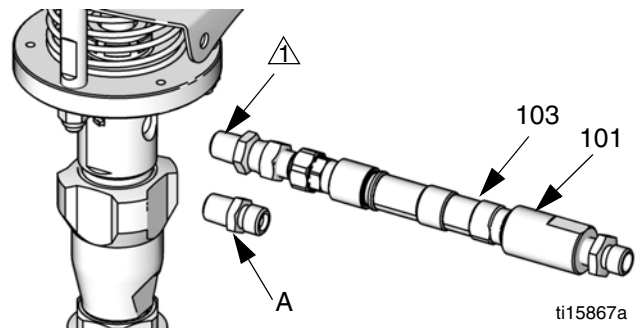
3000 psi (21 MPa, 210 bar) Maximum Fluid Working Pressure

**Kit 24F271, Stainless Steel
Kit 24F272, Aluminum**

NOTE: See page 2 for Parts List and Wetted Parts.

Assembly

1. Remove fluid outlet fitting (A) from pump.
2. Apply pipe sealant (107) to threads and install inline fluid filter assembly.
3. Remove the coupler (101) from the housing (103) to replace or clean filter. Torque to 120-130 in-lb (14-15 N•m).



 Apply pipe sealant (107) to threads.

Parts

Ref.	Description	Qty.
101	COUPLER	1
102	SEAL	1
103	HOUSING, filter (includes swivel)	1
104*	FILTER, 60 mesh	1
105	FITTING, swivel, 1/4 -18 npsm x 1/4-18 npt	1
106	FITTING, 1/4-18 npsm x 1/4-18 npt	1
107	SEALANT, pipe; 2 ml	1

* The following filter replacement kits are available:
 287032 Filter, 60 mesh (qty 1)
 287033 Filter, 100 mesh (qty 1)
 287034 Filter, 60 mesh (qty 1) and 100 mesh (qty 1)

Dimensions

Kit 24F271:

Overall Length: 8.8"

Inlet: 1/4" npt/npsm-m

Outlet: 1/4" npsm-m

Kit 24F272:

Overall Length: 8.9"

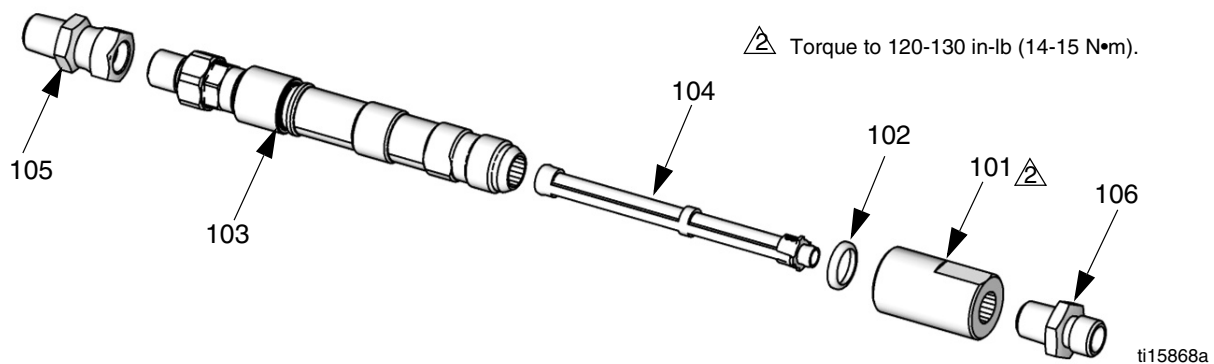
Inlet: 1/4" npt/npsm-m

Outlet: 1/4" npsm-m

Wetted Parts

Kit 24F271: stainless steel, acetal, polyurethane

Kit 24F272: aluminum, stainless steel, carbon steel, acetal, polyurethane



All written and visual data contained in this document reflects the latest product information available at the time of publication.
 Graco reserves the right to make changes at any time without notice.

Original instructions. This manual contains English. MM 406898

Graco Headquarters: Minneapolis
International Offices: Belgium, China, Japan, Korea

GRACO INC. AND SUBSIDIARIES • P.O. BOX 1441 • MINNEAPOLIS, MN 55440-1441 • USA

Copyright 2010, Graco Inc. All Graco manufacturing locations are registered to ISO 9001.

www.graco.com
 Revision C, October 2018