

# E-Flo® DC Basic Software

## Programming Kit

332732B  
EN

Use to upgrade E-Flo Basic software. For professional use only.  
See your system manual when replacing parts in hazardous locations.

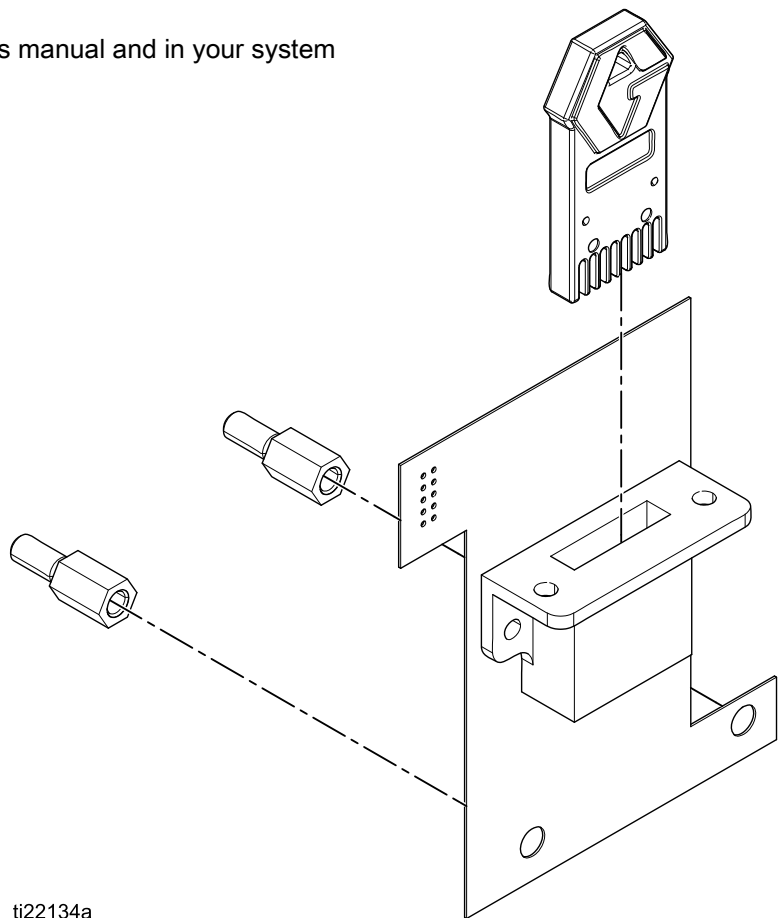


### Important Safety Instructions

Read all warnings and instructions in this manual and in your system manual.

Save these instructions.

*Kit 16X064, E-Flo DC Software Upgrade  
Token Kit*






ti22134a

# Usage

The software token kit is used to update the E-Flo DC Basic software. The first time the software is updated, an additional circuit board must be installed in the electronics cover, then the token is installed on the new board. For subsequent software updates, the old token is removed and the new one is put in its place.

# Installation

				
<p>To avoid electric shock, turn off equipment power and shut off power at main circuit breaker before installing. All electrical wiring must be done by a qualified electrician and comply with all local codes and regulations.</p>				

<p><b>NOTICE</b></p> <p>To avoid damage to the circuit board, wear Part No. 112190 grounding strap and ground appropriately.</p>
--

# Tools Required

- 6 mm Hex wrench
- Phillips screwdriver
- Grounding strap

# Procedure

1. Disconnect/remove all power to the pump.
2. Put on a grounded wrist strap.
3. Use the 6 mm Hex wrench to remove the 12 bolts (D) and washers (E) on the electronics cover (B).

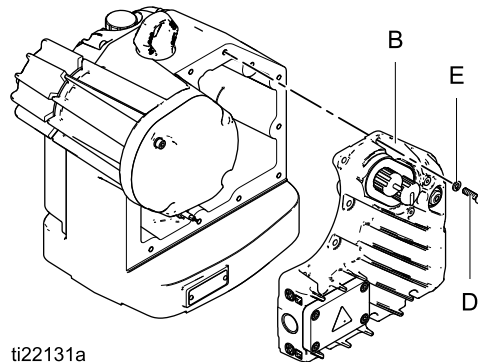


Figure 1

<p><b>NOTICE</b></p> <p>To avoid equipment damage, carefully support the cover when removing the last bolt. Hold the cover horizontally and take care that the wires are not pulled tight. Do not let the cover rest against the side of the motor housing, where it could damage the reed switch wires.</p>
--

4. If a token kit is present already, remove the old token and go to Step 8.
5. Remove the two screws (A) on the blue circuit board (C) inside the electronics cover (B). Save them for use in reassembly.

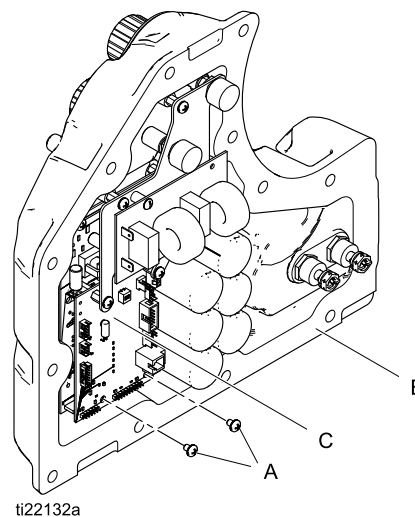





Figure 2

6. Replace the screws with the supplied 3/8 in. spacers (3).
7. Install the token kit circuit board (1). Plug connector J1 of the token board (1) into J9 of the blue circuit board (C). Secure with screws (A) removed in Step 5.
8. Insert the token (2) into the token connector.  
**NOTE:** Review all connections to make sure that nothing was dislodged during installation.
9. Carefully replace the electronics cover (B) and install the 12 bolts (D) and washers (E). Torque the bolts to 15 to 20 ft-lb (20 to 27 Nm).
10. Power up the pump. The red LED will blink while the software updates. When the upgrade is complete, the LED will be lit solid.

## Parts

Ref.	Description	Qty.
1	BOARD, circuit, token kit	1
2	TOKEN, E-Flo DC Basic, upgrade	1
3	SPACER, #8-32 x 0.38	2

				
<p>Be sure that no wires are pinched between the cover and the motor housing. Pinched wires may damage the circuit board and will impair explosion-proof safety.</p>				

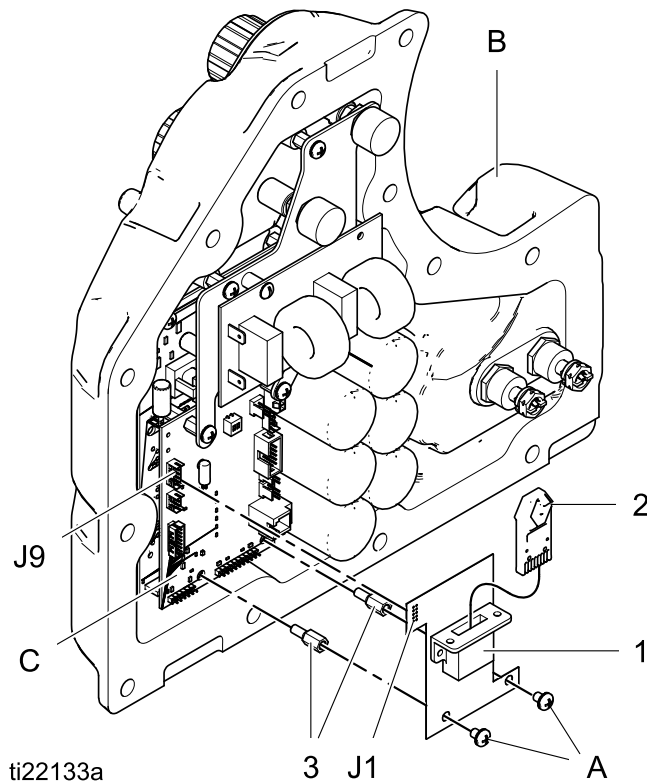


Figure 3

# Graco Standard Warranty

Graco warrants all equipment referenced in this document which is manufactured by Graco and bearing its name to be free from defects in material and workmanship on the date of sale to the original purchaser for use. With the exception of any special, extended, or limited warranty published by Graco, Graco will, for a period of twelve months from the date of sale, repair or replace any part of the equipment determined by Graco to be defective. This warranty applies only when the equipment is installed, operated and maintained in accordance with Graco's written recommendations.

This warranty does not cover, and Graco shall not be liable for general wear and tear, or any malfunction, damage or wear caused by faulty installation, misapplication, abrasion, corrosion, inadequate or improper maintenance, negligence, accident, tampering, or substitution of non-Graco component parts. Nor shall Graco be liable for malfunction, damage or wear caused by the incompatibility of Graco equipment with structures, accessories, equipment or materials not supplied by Graco, or the improper design, manufacture, installation, operation or maintenance of structures, accessories, equipment or materials not supplied by Graco.

This warranty is conditioned upon the prepaid return of the equipment claimed to be defective to an authorized Graco distributor for verification of the claimed defect. If the claimed defect is verified, Graco will repair or replace free of charge any defective parts. The equipment will be returned to the original purchaser transportation prepaid. If inspection of the equipment does not disclose any defect in material or workmanship, repairs will be made at a reasonable charge, which charges may include the costs of parts, labor, and transportation.

**THIS WARRANTY IS EXCLUSIVE, AND IS IN LIEU OF ANY OTHER WARRANTIES, EXPRESS OR IMPLIED, INCLUDING BUT NOT LIMITED TO WARRANTY OF MERCHANTABILITY OR WARRANTY OF FITNESS FOR A PARTICULAR PURPOSE.**

Graco's sole obligation and buyer's sole remedy for any breach of warranty shall be as set forth above. The buyer agrees that no other remedy (including, but not limited to, incidental or consequential damages for lost profits, lost sales, injury to person or property, or any other incidental or consequential loss) shall be available. Any action for breach of warranty must be brought within two (2) years of the date of sale.

**GRACO MAKES NO WARRANTY, AND DISCLAIMS ALL IMPLIED WARRANTIES OF MERCHANTABILITY AND FITNESS FOR A PARTICULAR PURPOSE, IN CONNECTION WITH ACCESSORIES, EQUIPMENT, MATERIALS OR COMPONENTS SOLD BUT NOT MANUFACTURED BY GRACO.** These items sold, but not manufactured by Graco (such as electric motors, switches, hose, etc.), are subject to the warranty, if any, of their manufacturer. Graco will provide purchaser with reasonable assistance in making any claim for breach of these warranties.

In no event will Graco be liable for indirect, incidental, special or consequential damages resulting from Graco supplying equipment hereunder, or the furnishing, performance, or use of any products or other goods sold hereto, whether due to a breach of contract, breach of warranty, the negligence of Graco, or otherwise.

## FOR GRACO CANADA CUSTOMERS

The Parties acknowledge that they have required that the present document, as well as all documents, notices and legal proceedings entered into, given or instituted pursuant hereto or relating directly or indirectly hereto, be drawn up in English. Les parties reconnaissent avoir convenu que la rédaction du présente document sera en Anglais, ainsi que tous documents, avis et procédures judiciaires exécutés, donnés ou intentés, à la suite de ou en rapport, directement ou indirectement, avec les procédures concernées.

## Graco Information

For the latest information about Graco products, visit [www.graco.com](http://www.graco.com).  
For patent information, see [www.graco.com/patents](http://www.graco.com/patents).

**To place an order**, contact your Graco Distributor or call to identify the nearest distributor.

**Phone:** 612-623-6921 **or Toll Free:** 1-800-328-0211 **Fax:** 612-378-3505

All written and visual data contained in this document reflects the latest product information available at the time of publication.

Graco reserves the right to make changes at any time without notice.  
Original Instructions. This manual contains English. MM 332732

**Graco Headquarters:** Minneapolis  
**International Offices:** Belgium, China, Japan, Korea

**GRACO INC. AND SUBSIDIARIES • P.O. BOX 1441 • MINNEAPOLIS MN 55440-1441 • USA**  
**Copyright 2013, Graco Inc. All Graco manufacturing locations are registered to ISO 9001.**

[www.graco.com](http://www.graco.com)

Revision B, September 2014