

GENUINE GRACO PARTS AND ACCESSORIES



24A799 Merkur® 316 Stainless Steel Seat Kit

For Merkur LW150A Displacement Pumps
Replaces tungsten carbide seats for high corrosive applications.

406793B



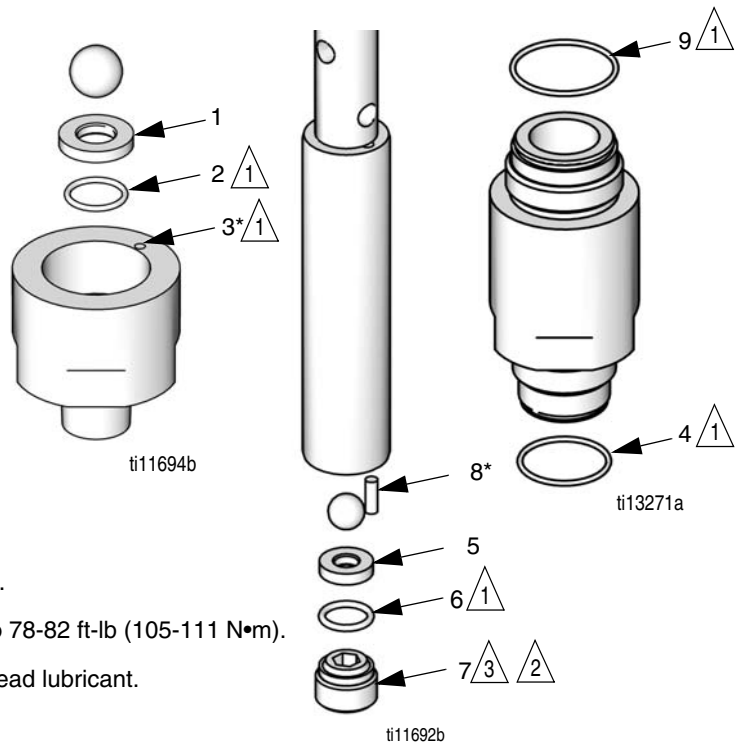
Important Safety Instructions

Read all warnings and instructions in manuals 312792 and 312794. Save all instructions.

Ref.	Description	Qty.
1	SEAT, stainless steel, intake valve	1
2	O-RING, PTFE, 1 in. (25 mm)	1
3*	THREAD LOCKER, nylon	1
4	O-RING, PTFE, 2.3 in. (58 mm)	1
5	SEAT, stainless steel, piston valve	1
6	O-RING, 0.9 in. (23 mm)	1
7	NUT, flow-through	1
8*	THREAD LOCKER, nylon	1
9	O-RING, PTFE, 2.7 in. (69 mm)	1

* Remove and replace only if damaged.

- 1 Lubricate.
- 2 Torque to 78-82 ft-lb (105-111 N•m).
- 3 Apply thread lubricant.



Graco Inc. P.O. Box 1441 Minneapolis, MN 55440-1441
406793 Rev, B 05/2013
Copyright 2008, Graco Inc. is registered to I.S. EN ISO 9001

