

Handle Seal Repair Kits

311397B

To replace spray gun handle seal components.



Important Safety Instructions

Read all warnings and instructions in this manual and in your spray gun manual. Save these instructions.

Part No. 296895 Handle Seal Repair Kit

For GX-7A, GX-7A 400, GX-7 DI; and GX-7, GX-7 400, and GX-7 DI Conversion Spray Guns


Part No. 296938 Handle Seal Repair Kit

For GAP, GAP Pro™, GX-8, GX-8 Pro™, GSP, Straight Shooter®, and Long Shot™ Pour Spray Guns

GRACO | GUSMER

PROVEN QUALITY. LEADING TECHNOLOGY.

Part No. 296895

						
<p>Before beginning, follow the Pressure Relief Procedure in your separate gun instruction manual.</p>						

GX-7A and GX-7A 400 Spray Guns

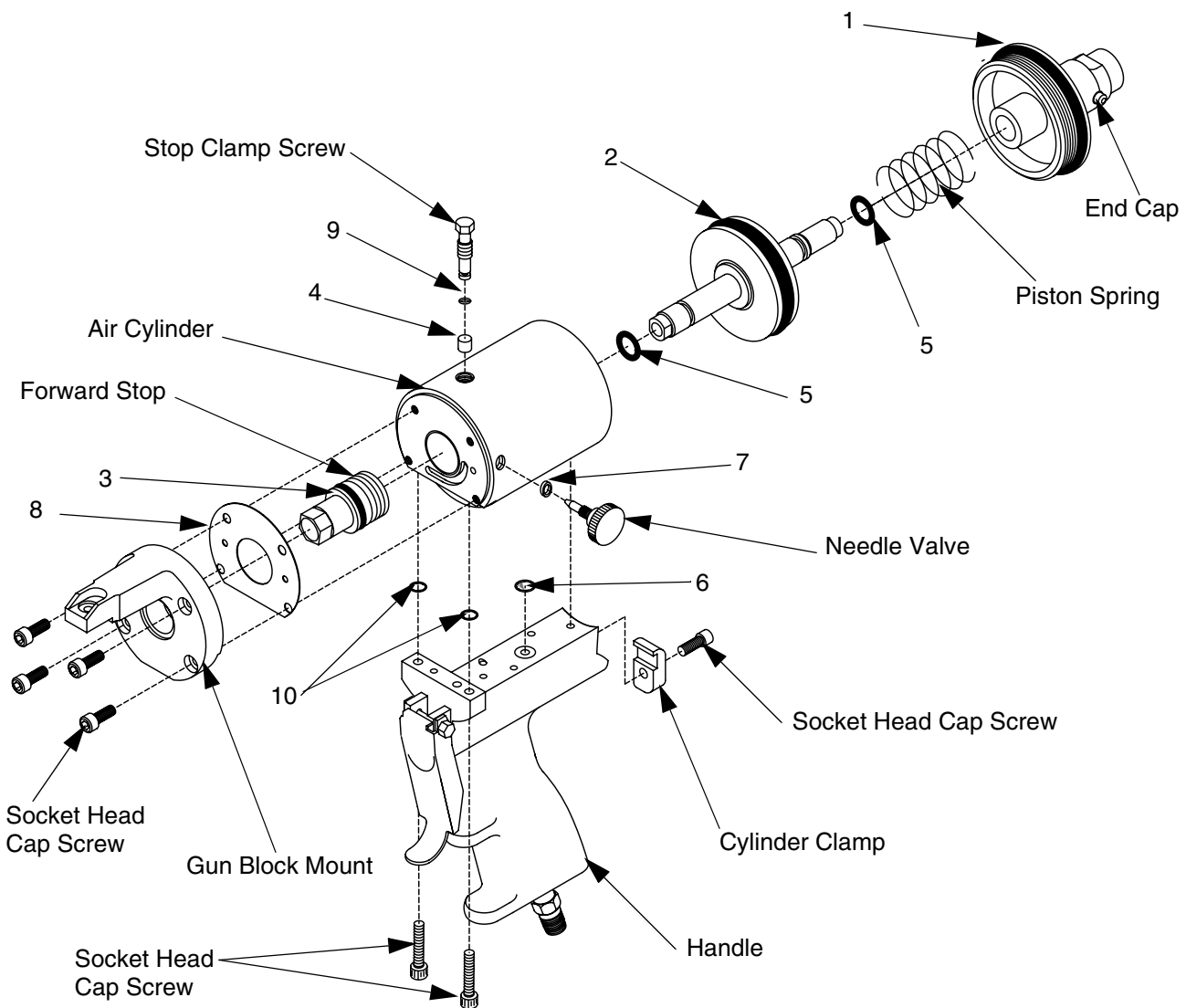



Fig. 1: Kit 296895 for GX-7A and GX-7A 400 Spray Guns

 Parts used on GX-7A, and GX-7A 400, guns are listed to the right. The kit also includes parts for guns shown on pages 4-5. Discard those parts to avoid accidental use.

All other parts identified are not included in the kit and must be ordered separately.

See your gun manual for proper repair procedures and parts ordering information.

Ref. No.	Part No.	Description	Qty.
1	295681	O-ring	1
2	295683	O-ring	1
3	514279	O-ring	1
4	295667	Pellet, nylon	1
5	106555	O-ring, fluoroelastomer	2
6	C20988	Packing, o-ring, fluoroelastomer	1
7	295405	Packing, needle valve	1
8	295674	Gasket	1
9	295706	O-ring	1
10	295685	O-ring	2

GX-7 DI Spray Gun

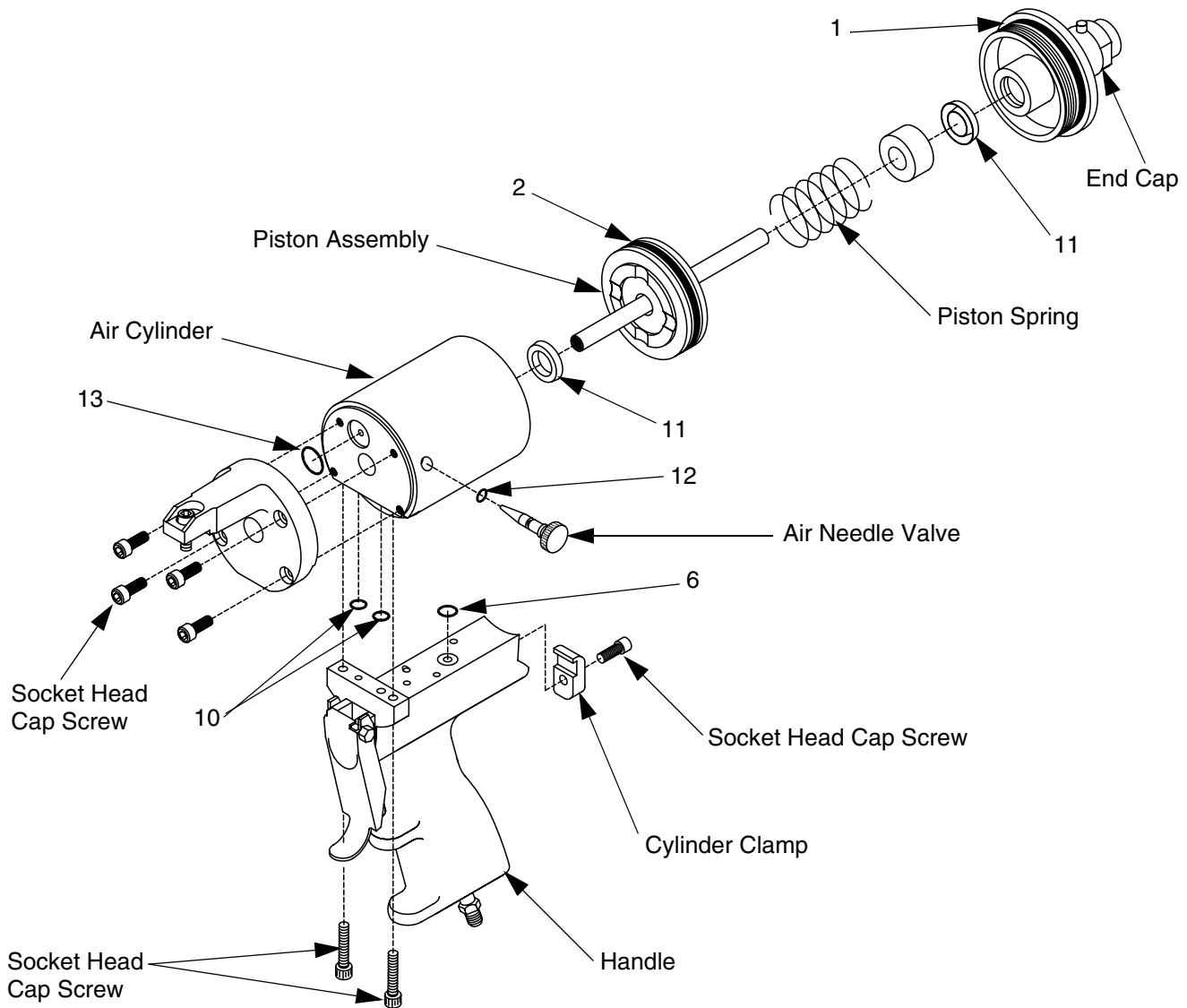


Fig. 2: Kit 296895 for GX-7 DI Spray Guns

Parts used on GX-7 DI guns are listed to the right. The kit also includes parts for guns shown on pages 2 and 5. Discard those parts to avoid accidental use.

All other parts identified are not included in the kit and must be ordered separately.

See your gun manual for proper repair procedures and parts ordering information.

Ref. No.	Part No.	Description	Qty.
1	295681	O-ring	1
2	295683	O-ring	1
6	111450	Packing, o-ring	1
10	295685	O-ring	2
11	295496	Seal, u-cup	2
12	C20988	Packing, o-ring	1
13	103338	Packing, o-ring	1

GX-7, GX-7 400, and GX-7 DI Conversion Spray Guns

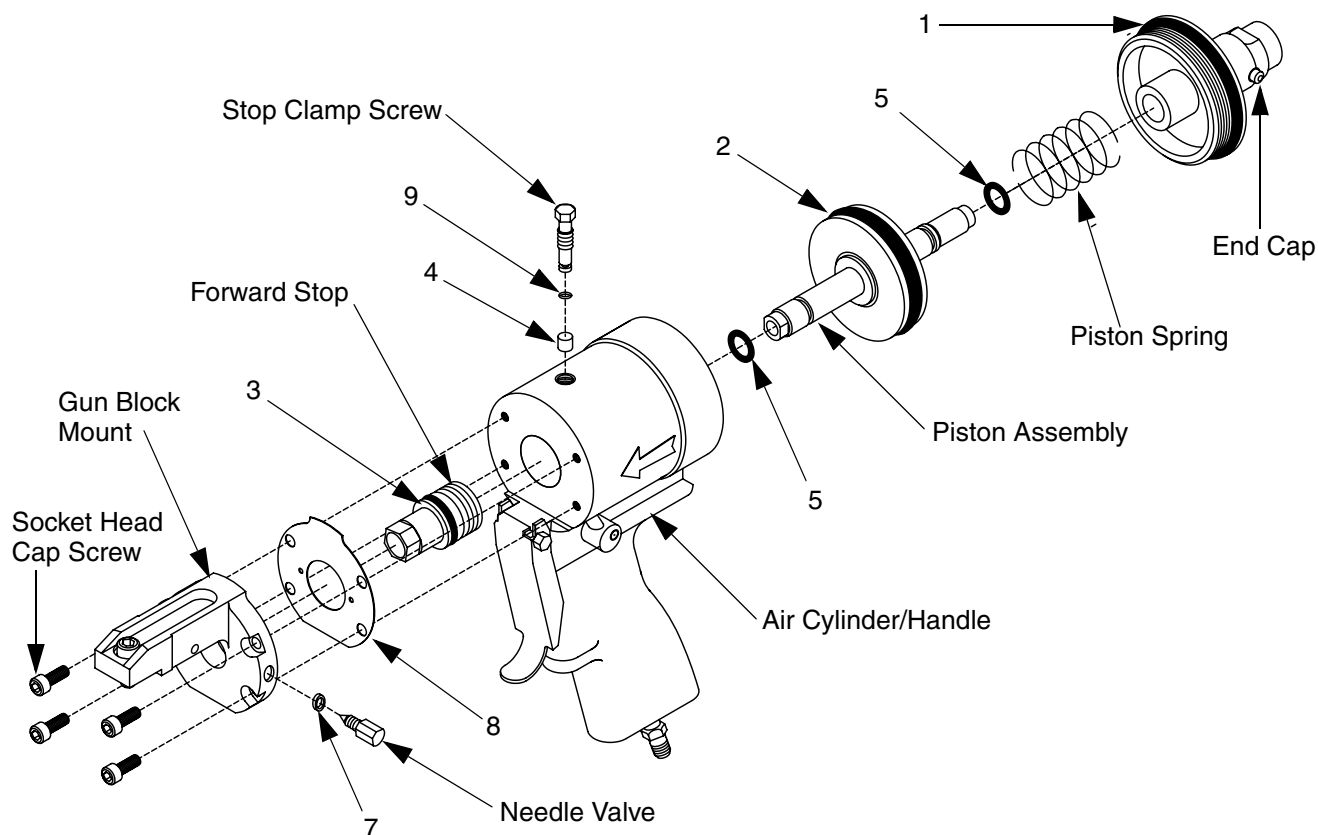



Fig. 3: Kit 296895 for GX-7, GX-7 400, and GX-7 DI Conversion Spray Guns


 Parts used on GX-7, GX-7 400, and GX-7 DI Conversion guns are listed to the right. The kit also includes parts for guns shown on pages 2-4. Discard those parts to avoid accidental use.

All other parts identified are not included in the kit and must be ordered separately.

See your gun manual for proper repair procedures and parts ordering information.

Ref. No.	Part No.	Description	Qty.
1	295681	O-ring	1
2	295683	O-ring	1
3	514279	O-ring	1
4	295667	Pellet, nylon	1
5	106555	O-ring, fluoroelastomer	2
7	295405	Packing, needle valve	1
8	295410	Gasket	1
9	295706	O-ring	1

Part No. 296938

						
---	--	--	--	--	--	--

Before beginning, follow the **Pressure Relief Procedure** in your separate gun instruction manual.

GAP and GAP Pro™ Spray Guns

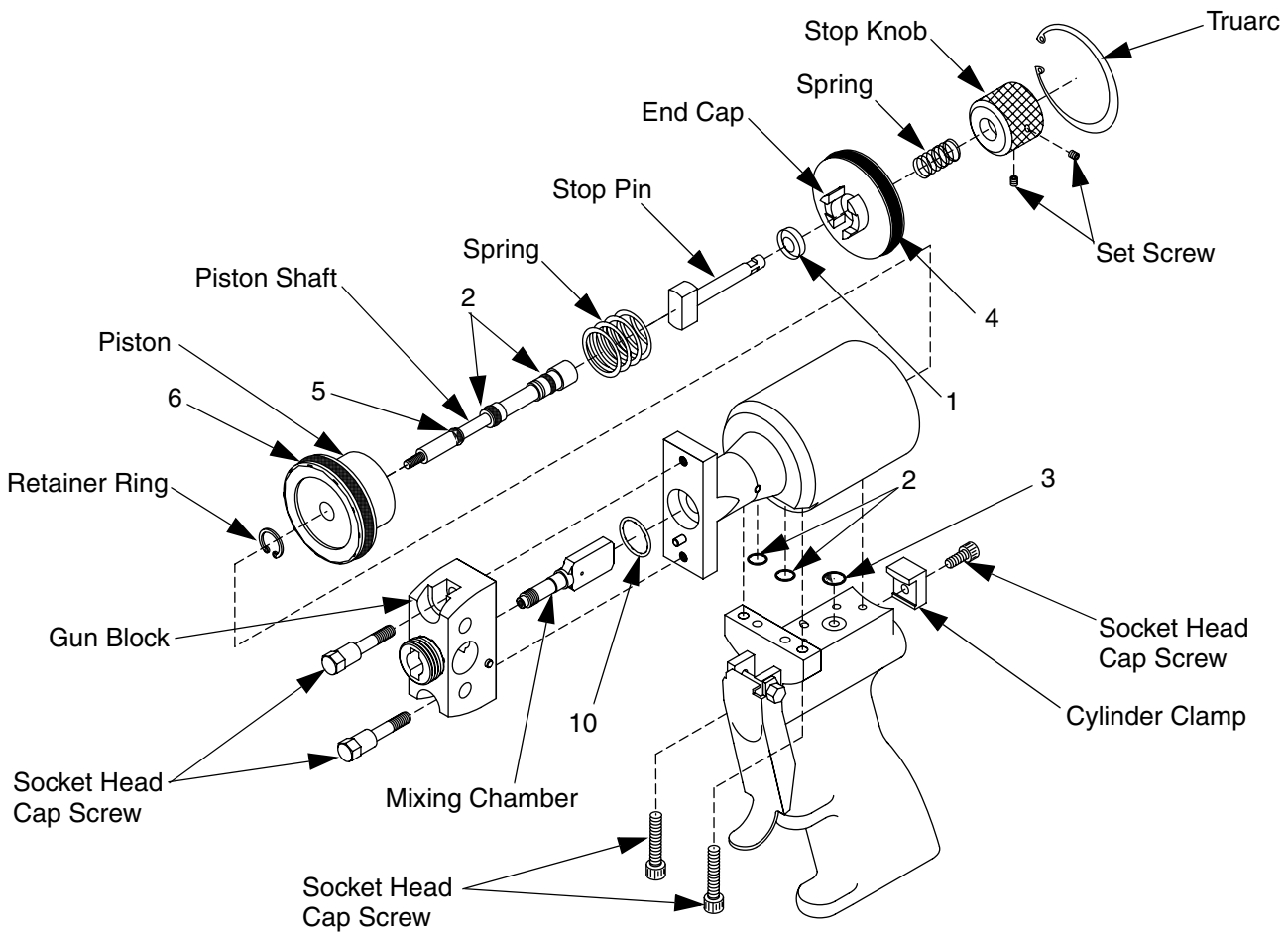


FIG. 4: Kit 296938 for GAP and GAP Pro™ Spray Guns



Parts used on GAP and GAP Pro™ guns are listed to the right. The kit also includes parts for guns shown on pages 8-10. Discard those parts to avoid accidental use.

All other parts identified are not included in the kit and must be ordered separately.

See your gun manual for proper repair procedures and parts ordering information.

Ref. No.	Part No.	Description	Qty.
1	295435	Seal, u-cup	1
2	C20988	Packing, o-ring	4
3	111450	Packing, o-ring	1
4	108103	Packing, o-ring	1
5	168518	Packing, o-ring	1
6	114054	Packing, o-ring	1
10	115719	Packing, o-ring,	1

GX-8 and GX-8 Pro™ Spray Guns

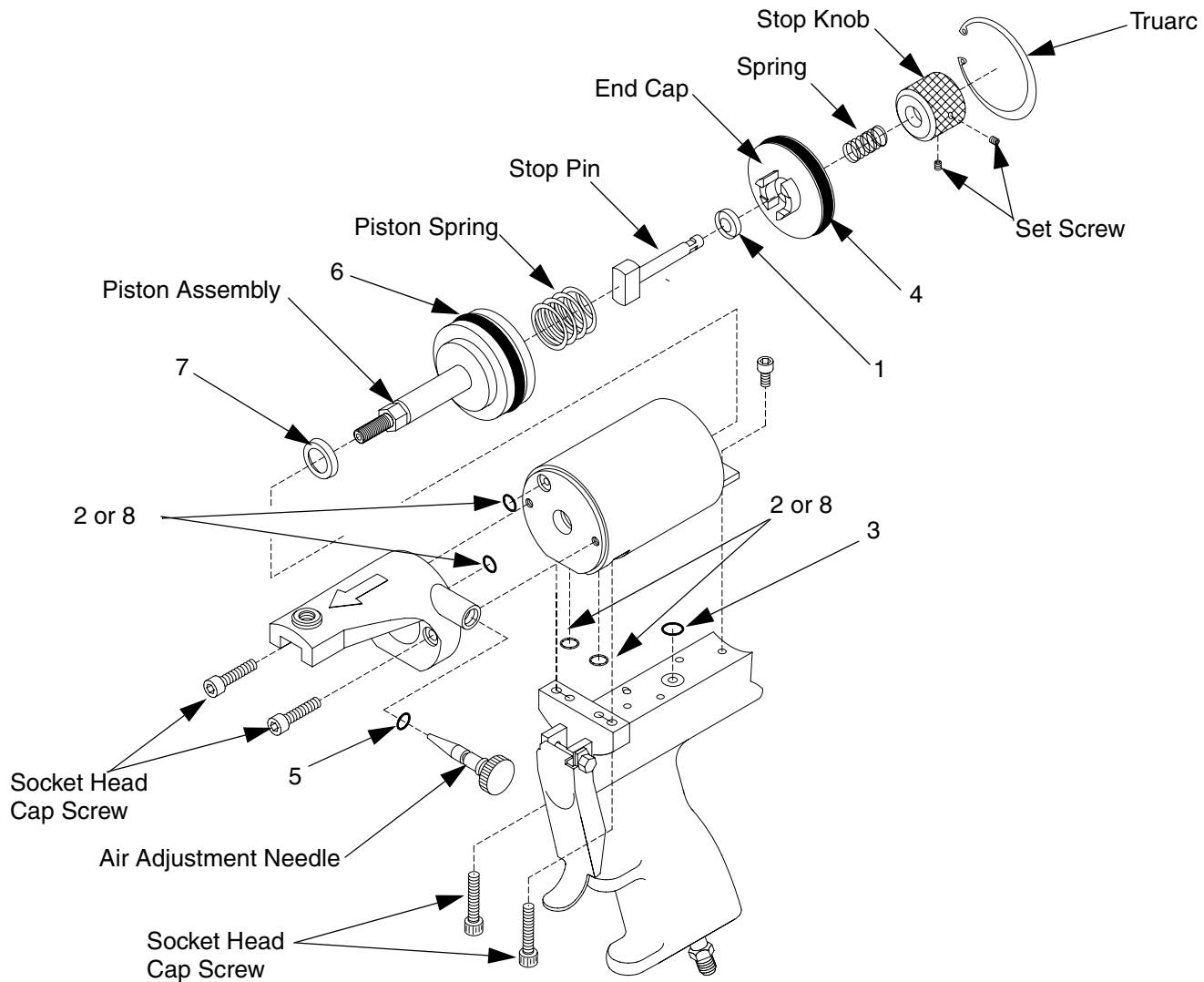



FIG. 5: Kit 296938 for GX-8 and GX-8 Pro™ Spray Guns

 Parts used on GX-8 and GX-8 Pro™ guns are listed to the right. The kit also includes parts for guns shown on pages 6, 9, and 10. Discard those parts to avoid accidental use.

All other parts identified are not included in the kit and must be ordered separately.

See your gun manual for proper repair procedures and parts ordering information.

Ref. No.	Part No.	Description	Qty.
1	295435	Seal, u-cup	1
2	C20988	Packing, o-ring	4
3	111450	Packing, o-ring	1
4	108103	Packing, o-ring	1
5	168518	Packing, o-ring	1
6	114054	Packing, o-ring	1
7	295496	Seal, u-cup	1
8	295685	O-ring (GX-8 Pro™ model only)	4

GSP Spray Gun

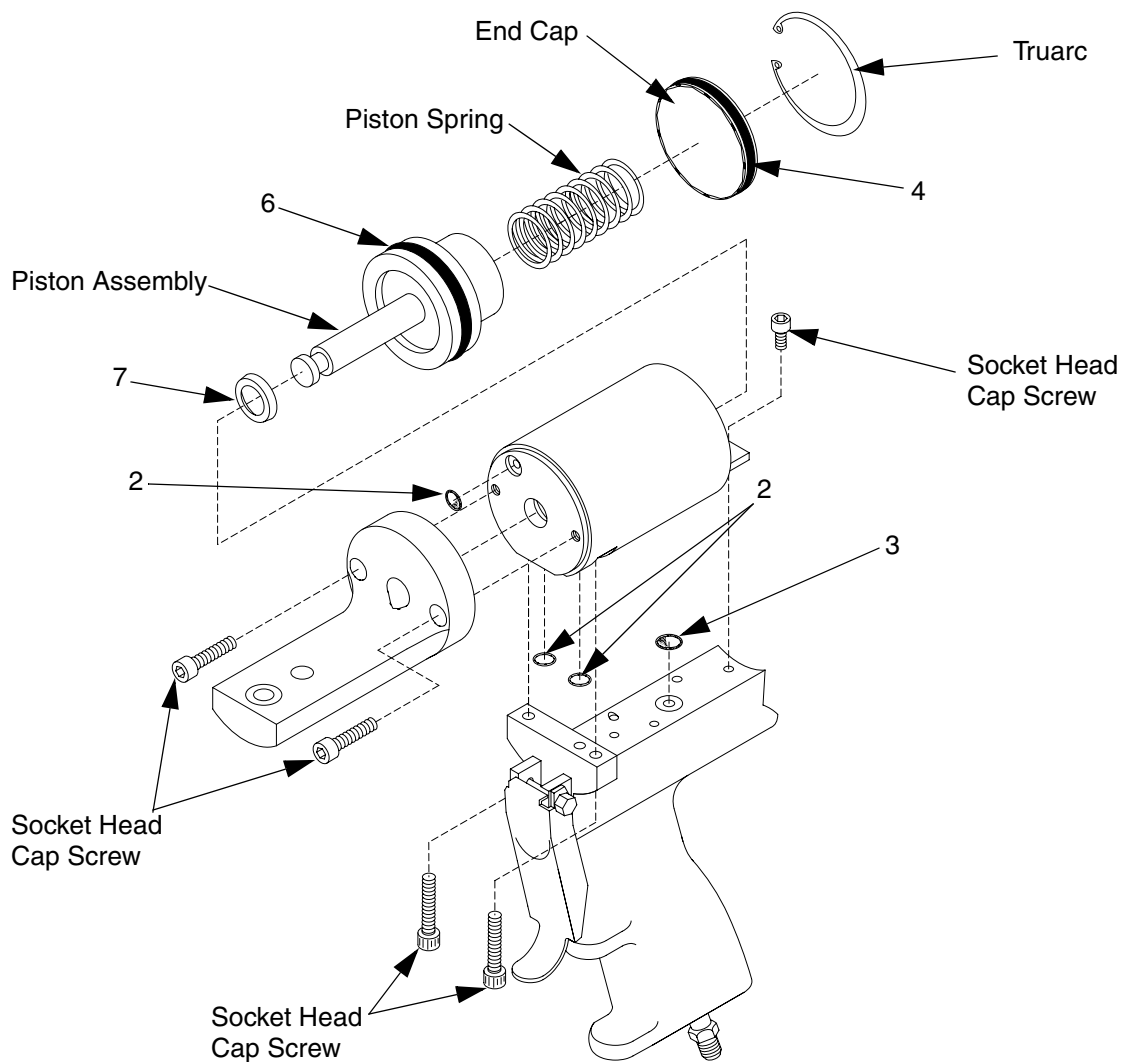


FIG. 6: Kit 296938 for GSP Spray Gun



Parts used on GSP spray gun is listed to the right. The kit also includes parts for guns shown on pages 6, 8, and 10. Discard those parts to avoid accidental use.

All other parts identified are not included in the kit and must be ordered separately.

See your gun manual for proper repair procedures and parts ordering information.

Ref. No.	Part No.	Description	Qty.
2	C20988	Packing, o-ring	3
3	111450	Packing, o-ring	1
4	108103	Packing, o-ring	1
6	114054	Packing, o-ring	1
7	295496	Seal, u-cup	1

Straight Shooter[®] and Long Shot[™] Pour Guns

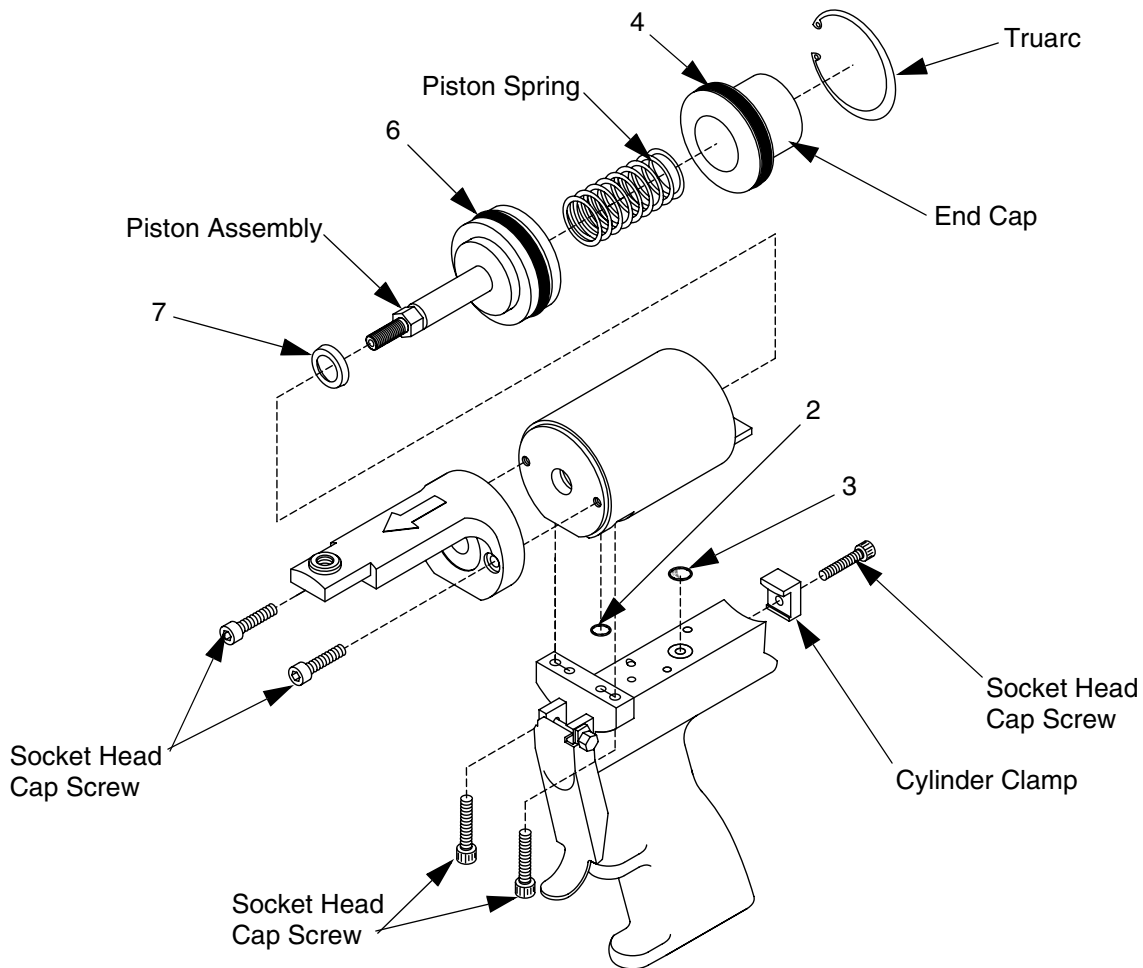



FIG. 7: Kit 296938 for Straight Shooter[®] and Long Shot[™] Pour Guns

 Parts used on Straight Shooter[®] and Long Shot[™] pour guns are listed to the right. The kit also includes parts for guns shown on pages 6-9. Discard those parts to avoid accidental use.

Ref. No.	Part No.	Description	Qty.
2	C20988	Packing, o-ring	1
3	111450	Packing, o-ring	1
4	108103	Packing, o-ring	1
6	114054	Packing, o-ring	1
7	295496	Seal, u-cup	1

All other parts identified are not included in the kit and must be ordered separately.

See your gun manual for proper repair procedures and parts ordering information.

Graco Standard Warranty

Graco warrants all equipment referenced in this document which is manufactured by Graco and bearing its name to be free from defects in material and workmanship on the date of sale to the original purchaser for use. With the exception of any special, extended, or limited warranty published by Graco, Graco will, for a period of twelve months from the date of sale, repair or replace any part of the equipment determined by Graco to be defective. This warranty applies only when the equipment is installed, operated and maintained in accordance with Graco's written recommendations.

This warranty does not cover, and Graco shall not be liable for general wear and tear, or any malfunction, damage or wear caused by faulty installation, misapplication, abrasion, corrosion, inadequate or improper maintenance, negligence, accident, tampering, or substitution of non-Graco component parts. Nor shall Graco be liable for malfunction, damage or wear caused by the incompatibility of Graco equipment with structures, accessories, equipment or materials not supplied by Graco, or the improper design, manufacture, installation, operation or maintenance of structures, accessories, equipment or materials not supplied by Graco.

This warranty is conditioned upon the prepaid return of the equipment claimed to be defective to an authorized Graco distributor for verification of the claimed defect. If the claimed defect is verified, Graco will repair or replace free of charge any defective parts. The equipment will be returned to the original purchaser transportation prepaid. If inspection of the equipment does not disclose any defect in material or workmanship, repairs will be made at a reasonable charge, which charges may include the costs of parts, labor, and transportation.

THIS WARRANTY IS EXCLUSIVE, AND IS IN LIEU OF ANY OTHER WARRANTIES, EXPRESS OR IMPLIED, INCLUDING BUT NOT LIMITED TO WARRANTY OF MERCHANTABILITY OR WARRANTY OF FITNESS FOR A PARTICULAR PURPOSE.

Graco's sole obligation and buyer's sole remedy for any breach of warranty shall be as set forth above. The buyer agrees that no other remedy (including, but not limited to, incidental or consequential damages for lost profits, lost sales, injury to person or property, or any other incidental or consequential loss) shall be available. Any action for breach of warranty must be brought within two (2) years of the date of sale.

GRACO MAKES NO WARRANTY, AND DISCLAIMS ALL IMPLIED WARRANTIES OF MERCHANTABILITY AND FITNESS FOR A PARTICULAR PURPOSE, IN CONNECTION WITH ACCESSORIES, EQUIPMENT, MATERIALS OR COMPONENTS SOLD BUT NOT MANUFACTURED BY GRACO. These items sold, but not manufactured by Graco (such as electric motors, switches, hose, etc.), are subject to the warranty, if any, of their manufacturer. Graco will provide purchaser with reasonable assistance in making any claim for breach of these warranties.

In no event will Graco be liable for indirect, incidental, special or consequential damages resulting from Graco supplying equipment hereunder, or the furnishing, performance, or use of any products or other goods sold hereto, whether due to a breach of contract, breach of warranty, the negligence of Graco, or otherwise.

FOR GRACO CANADA CUSTOMERS

The Parties acknowledge that they have required that the present document, as well as all documents, notices and legal proceedings entered into, given or instituted pursuant hereto or relating directly or indirectly hereto, be drawn up in English. Les parties reconnaissent avoir convenu que la rédaction du présente document sera en Anglais, ainsi que tous documents, avis et procédures judiciaires exécutés, donnés ou intentés, à la suite de ou en rapport, directement ou indirectement, avec les procédures concernées.

Graco Information

TO PLACE AN ORDER, contact your Graco distributor or call to identify the nearest distributor.

Phone: 612-623-6921 **or Toll Free:** 1-800-328-0211 **Fax:** 612-378-3505

*All written and visual data contained in this document reflects the latest product information available at the time of publication.
Graco reserves the right to make changes at any time without notice.*

MM 311397

Graco Headquarters: Minneapolis
International Offices: Belgium, China, Japan, Korea

GRACO INC. P.O. BOX 1441 MINNEAPOLIS, MN 55440-1441

www.graco.com

311397B

8/2006