

Instructions



Cleanshot™ Shut-Off Valve Body Kit

309516C

Part No. 245687, Series B

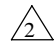
3600 psi (248 bar, 24.8 MPa) Maximum Working Pressure

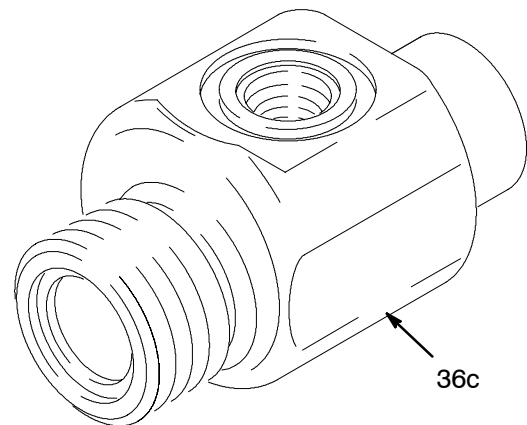
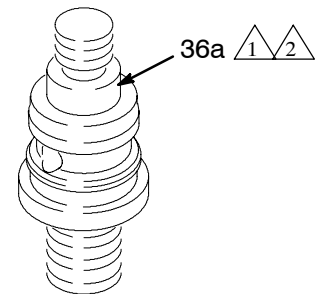
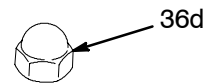


Read warnings and instructions provided in manual 309314 . Follow Pressure Relief procedure on reverse side of this instruction sheet before performing any maintenance or repair on Cleanshot Shut-Off Valve.

Ref. No.	Part No.	Description	Qty.
36	245687	KIT, valve body	1
36a	197556	STUD, manifold	1
36c	197112	VALVE, outlet	1
36d	120189	NUT, cap, sst	1

 1 Apply sealant

 2 Torque to 150 in-lb



PROVEN QUALITY. LEADING TECHNOLOGY.

Pressure Relief Procedure

WARNING



To reduce risk of serious injury, including fluid injection, follow this procedure when checking or servicing any part of spray system, when installing, cleaning or changing spray tips, and whenever you stop spraying.

1. Engage trigger safety.
2. Shut off pump or sprayer, disconnect power source, and open all air bleed valves.
3. Rotate spray valve knob counter-clockwise to FLUSH position.
4. Disengage trigger safety.
5. Hold metal part of gun firmly to side of a grounded metal pail. Trigger gun into paint pail to relieve pressure.
6. Engage trigger safety.
7. Open pump drain valve to relieve fluid pressure in pump, hose, and pole gun. Triggering in-line valve to relieve pressure may not be sufficient. Have container ready to catch drainage.

If you suspect the spray tip or hose is completely clogged or that pressure has not been fully relieved after following steps above, VERY SLOWLY loosen hose end coupling to relieve pressure gradually. Then loosen it completely. Clear tip or hose obstruction.

THE GRACO WARRANTY AND DISCLAIMERS

WARRANTY

Graco warrants all equipment manufactured by it and bearing its name to be free from defects in material and workmanship on the date of sale to the original purchaser for use. As purchaser's sole remedy for breach of this warranty, Graco will, for a period of twelve months from the date of sale, repair or replace any part of the equipment proven defective. This warranty applies only when the equipment is installed, operated and maintained in accordance with Graco's written recommendations.

This warranty does not cover, and Graco shall not be liable for, any malfunction, damage or wear caused by faulty installation, misapplication, abrasion, corrosion, inadequate or improper maintenance, negligence, accident, tampering, or substitution of non-Graco component parts. Nor shall Graco be liable for malfunction, damage or wear caused by the incompatibility with Graco equipment of structures, accessories, equipment or materials not supplied by Graco, or the improper design, manufacture, installation, operation or maintenance of structures, accessories, equipment or materials not supplied by Graco.

This warranty is conditioned upon the prepaid return of the equipment claimed to be defective to an authorized Graco distributor for verification of the claim. If the claimed defect is verified, Graco will repair or replace free of charge any defective parts. The equipment will be returned to the original purchaser transportation prepaid. If inspection of the equipment does not disclose any defect in material or workmanship, repairs will be made at a reasonable charge, which charges may include the costs of parts, labor and transportation.

DISCLAIMERS AND LIMITATIONS

The terms of this warranty constitute purchaser's sole and exclusive remedy and are in lieu of any other warranties (express or implied), **including warranty of merchantability or warranty of fitness for a particular purpose**, and of any non-contractual liabilities, including product liabilities, based on negligence or strict liability. Every form of liability for direct, special or consequential damages or loss is expressly excluded and denied. In no case shall Graco's liability exceed the amount of the purchase price. Any action for breach of warranty must be brought within two (2) years of the date of sale.

EQUIPMENT NOT COVERED BY GRACO WARRANTY

Graco makes no warranty, and disclaims all implied **warranties of merchantability and fitness for a particular purpose**, with respect to accessories, equipment, materials, or components sold but not manufactured by Graco. These items sold, but not manufactured by Graco (such as electric motor, switches, hose, etc.) are subject to the warranty, if any, of their manufacturer. Graco will provide purchaser with reasonable assistance in making any claim for breach of these warranties.

TO PLACE AN ORDER, contact your Graco distributor, or call this number to identify the distributor closest to you:
1-800-690-2894 Toll Free

All written and visual data contained in this document reflect the latest product information available at the time of publication.

Graco reserves the right to make changes at any time without notice.

mm 309516

This manual contains English

Graco Headquarters: Minneapolis

International Offices: Belgium, Korea, China, Japan

GRACO INC. P.O. BOX 1441 MINNEAPOLIS, MN 55440-1441

www.graco.com

PRINTED IN U.S.A. April 2002, Rev 09/2009