

GCA CAN Cables

406987A

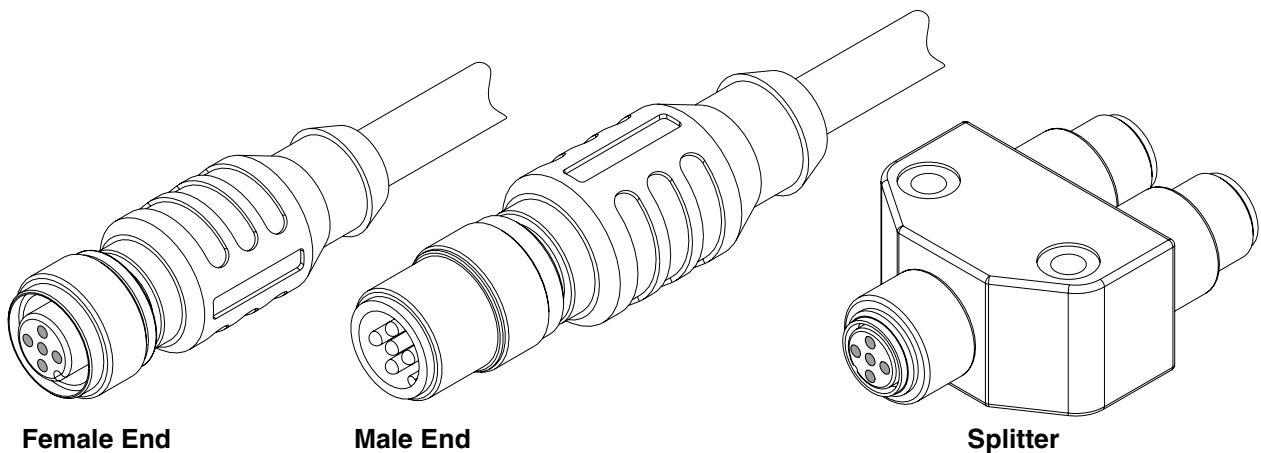
EN

Accessory cables for extending communication between Graco Control Architecture™ (GCA) components. For professional use only.



Important Safety Instructions

Read all warnings and instructions within the operations manual.



Female End

Male End

Splitter

CAN Extension Cables and Splitters

See below for a list of commonly used CAN cables for use with GCA components.

Female/Female CAN Cables

Part Number	Length (meter)
121001	1.0
121003	3.0
120952	4.0
121201	6.0
121228	15

Male/Female CAN Cables (Extension)

Part Number	Length (meter)
122487	1.5
121728	4.0
124003	5.0
121005	15
121006	50

CAN Cable Splitters

Part Number	Type
121807	Male/Male/Male
124654	Female/Male/Male

*All written and visual data contained in this document reflects the latest product information available at the time of publication.
Graco reserves the right to make changes at any time without notice.*

Original instructions. This manual contains English. MM 406987

Graco Headquarters: Minneapolis

International Offices: Belgium, China, Japan, Korea

GRACO INC. AND SUBSIDIARIES • P.O. BOX 1441 • MINNEAPOLIS MN 55440-1441 • USA

Copyright 2012, Graco Inc. All Graco manufacturing locations are registered to ISO 9001.

www.graco.com