

# Air Manifold Kit

332735C

EN

**For supplying air to feed pumps, agitator, and gun used with Reactor<sup>®</sup> 2 proportioning systems.**

## Kit 24U315

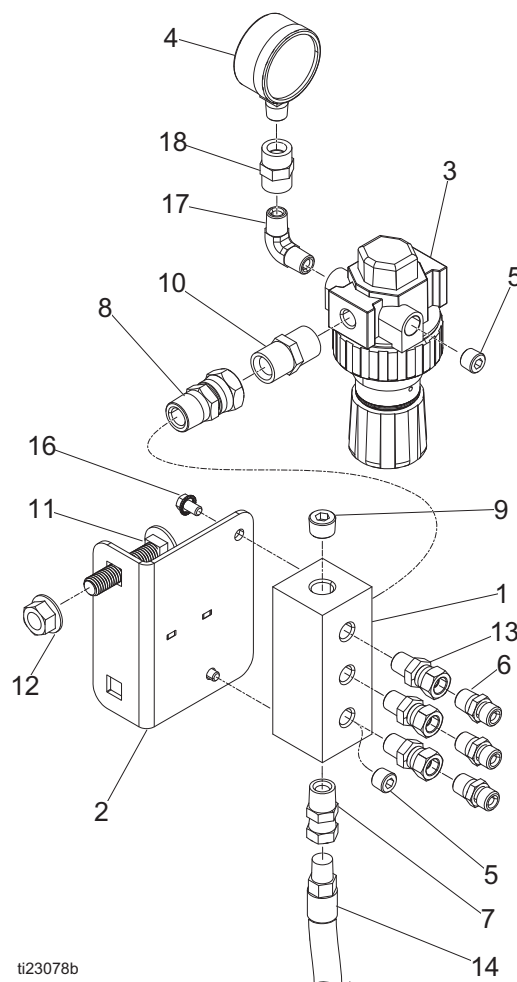


### Important Safety Instructions

Read all warnings and instructions in this manual before using the equipment. Save these instructions.

## Parts

Ref.	Part	Description	Qty.
1	16W953	MANIFOLD, air	1
2	16W935	BRACKET, manifold, air	1
3	104266	REGULATOR, air w psi 250	1
4	100960	GAUGE, press air	1
5	100721	PLUG, pipe	2
6	162453	FITTING, 1/4 npsm x 1/4 npt	3
7	110476	ADAPTER, union, straight swivel	1
8	156684	FITTING, union, adapter	2
9	101754	PLUG, pipe	1
10	158491	FITTING, nipple	1
11	127276	BOLT, carriage, 1/2-13 x 2.5 l	1
12	112731	NUT, hex, flanged	1
13	156823	FITTING, union, swivel	3
14	109124	HOSE, coupled, 48 in.	1
16	119865	SCREW, mach, hex serrated	2
17	110249	ADAPTER, elbow	1
18	121089	FITTING, coupling	1



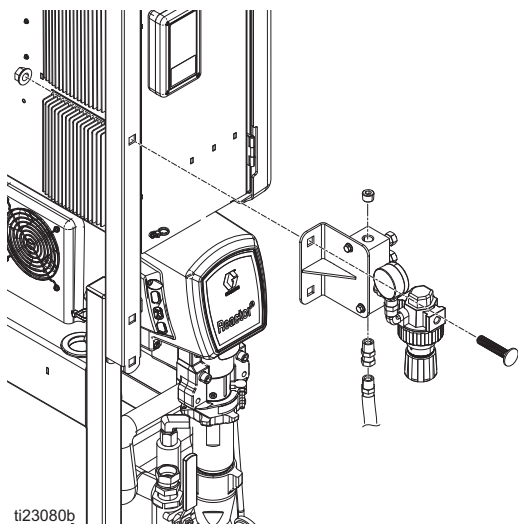
ti23078b

# Installation

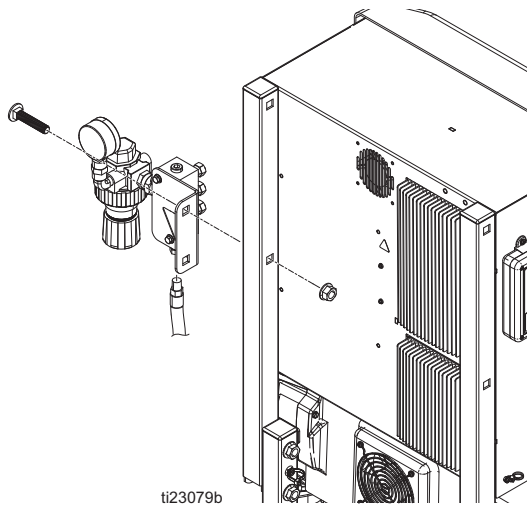
1. Assemble parts shown on page 1.
2. Configure fittings based on left or right mounting configuration. Male and female fittings are supplied to fit male and female output air hoses (not supplied). Apply thread sealant to all non-swiveling pipe threads.

**NOTE:** Use plug (5) if agitator is not used.

3. Mount air manifold kit on left or right side of system.



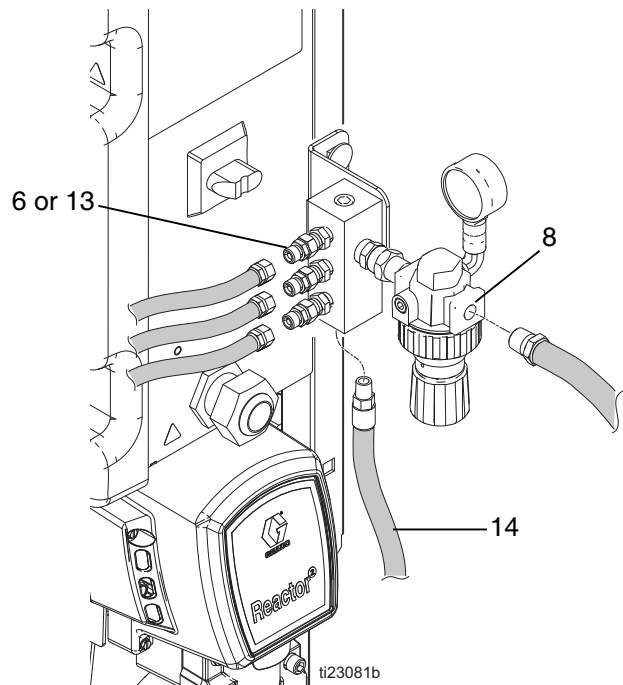
**FIG. 1: Left Side**



**FIG. 2: Right Side**

4. Connect feed pump and agitator air lines to manifold fittings (6 or 13).
5. Connect hose (14) to gun air hose fitting on manifold and air hose in heated hose.
6. Connect main air supply (not supplied) to fitting (8).

**NOTE:** Use 1/2 in. minimum ID hose to avoid restricted air flow.



**FIG. 3: Air Connections**



# California Proposition 65

## CALIFORNIA RESIDENTS

 **WARNING:** Cancer and reproductive harm – [www.P65warnings.ca.gov](http://www.P65warnings.ca.gov).

*All written and visual data contained in this document reflects the latest product information available at the time of publication.  
Graco reserves the right to make changes at any time without notice.*

Original instructions. This manual contains English. MM 332735

**Graco Headquarters:** Minneapolis

**International Offices:** Belgium, China, Japan, Korea

**GRACO INC. AND SUBSIDIARIES • P.O. BOX 1441 • MINNEAPOLIS MN 55440-1441 • USA**  
**Copyright 2020, Graco Inc. All Graco manufacturing locations are registered to ISO 9001.**

[www.graco.com](http://www.graco.com)  
Revision C, March 2020