

# 20 PSI Regulator

- For replacement of gas regulator on the ThermoLazer and ThermoLazer ProMelt™ Pavement Marking System -

## Kit Number 24L884

For use on ThermoLazer (Model 24H622, 24H625) and ThermoLazer ProMelt (Model 24H624)



### Important Safety Instructions



Read all warnings and instructions in this manual. Save these instructions.

#### Related Manuals:

Operation 3A1319

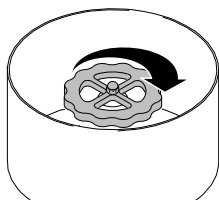
Parts 3A1321

Repair 3A1320

<b>! WARNING</b>					
					
Improper orientation of regulator can result in uncontrolled release of propane gas. To prevent the risk of fire and explosion, regulator must be installed with gas flow in proper direction.					

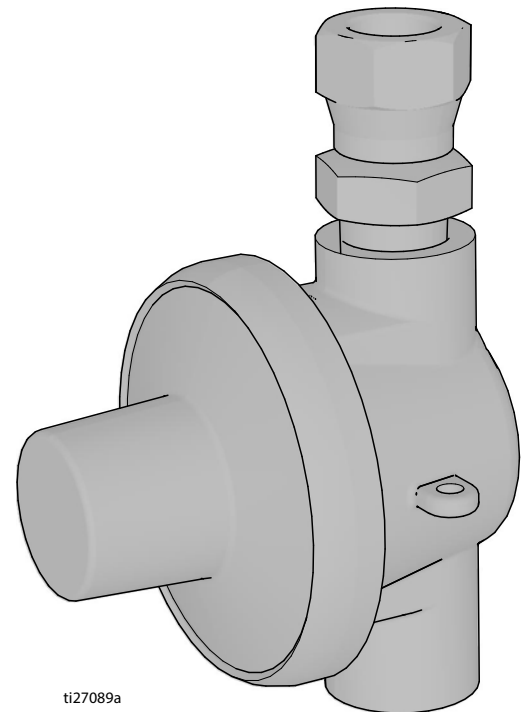
## Removal

1. Close manual gas shut-off valve on propane tank.



ti14128a

2. Disconnect gas supply hose from propane tank.
3. Disconnect gas line at downstream tube elbows (161).
4. Unscrew swivel union (323) from upstream pipe elbow (142).
5. Unscrew gas regulator (152) from fitting (323).
6. Unscrew and remove gas regulator (152) from downstream pipe tee (12).



ti27089a

## Installation

1. Apply pipe sealant to downstream pipe tee (12). Screw pipe tee (12) with elbow (161) to gas regulator (152). Turn connection until gas tight.

**NOTE:** Make sure OUT connection of regulator is connected to tee (12). See FIG. 1.

2. Apply pipe sealant to fitting (323) and screw into gas regulator (152). Turn connection until gas tight.

**NOTE:** Make sure IN connection of regulator is connected to fitting (323). See FIG. 1.

3. Screw swivel union (323) onto upstream pipe elbow (142); which is now connected to gas regulator (152). Turn connection until gas tight.

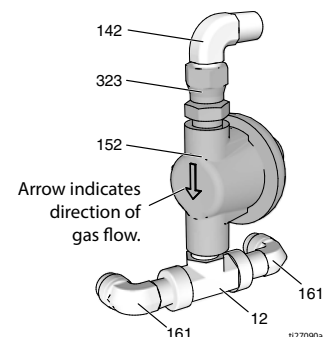
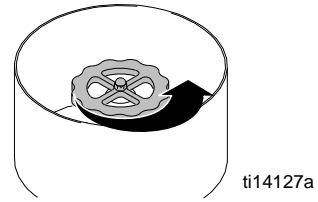
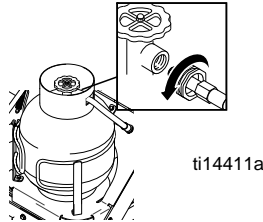
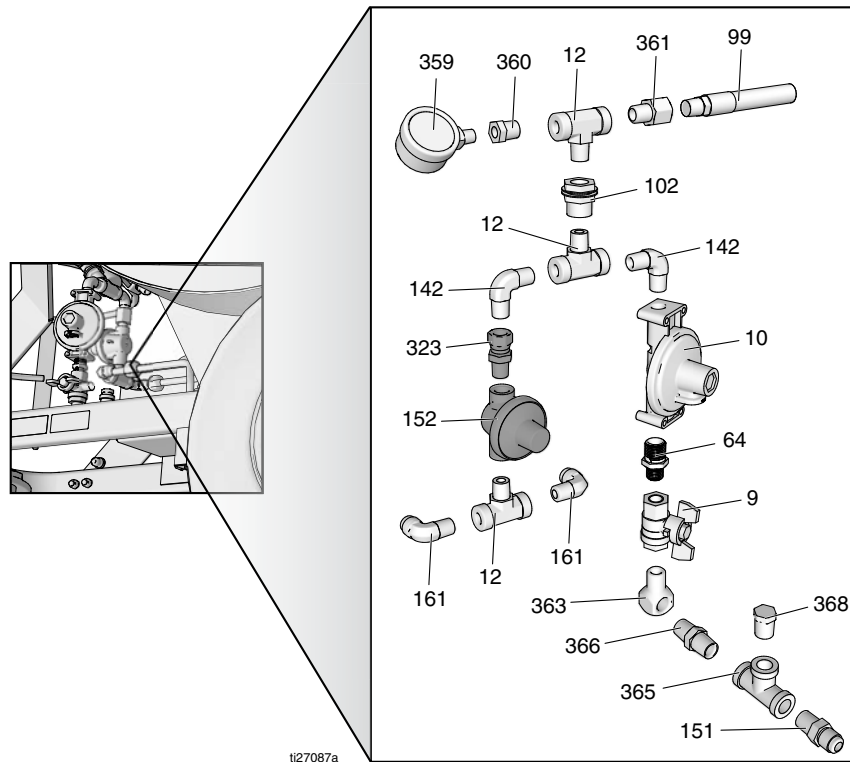


Fig. 1

4. Connect gas line at downstream tube elbows (161). Turn connection until gas tight.
5. Connect gas supply hose to propane tank.
6. Open manual gas shut-off valve on propane tank.



7. Check gas lines for gas leaks (see **Operation manual**).



Parts			
Ref.	Part	Description	Qty.
323	156823	FITTING, union, swivel	1
152		REGULATOR, LP GAS, 20 PSI	1

ti27088a

All written and visual data contained in this document reflects the latest product information available at the time of publication. Graco reserves the right to make changes at any time without notice.

For patent information, see [www.graco.com/patents](http://www.graco.com/patents).

Original instructions. This manual contains English. MM 332743

**Graco Headquarters:** Minneapolis  
**International Offices:** Belgium, China, Japan, Korea

**GRACO INC. AND SUBSIDIARIES • P.O. BOX 1441 • MINNEAPOLIS MN 55440-1441 • USA**

**Copyright 2013, Graco Inc. All Graco manufacturing locations are registered to ISO 9001.**

[www.graco.com](http://www.graco.com)

Revision E, August 2015